



## Intake Manifold Upgrade Kit

**PART# - RY12055-IMUK**

We strongly recommend the use of a service manual to familiarize yourself with the various components and procedures involved with this installation. Please note that some of the original clamps, hoses and hardware removed in the disassembly process will be used in the installation process. These instructions have been written in point form and refer to illustrations. Please follow these step-by-step instructions and illustrations carefully.

**APPLICATION(S):** 2012~09 Yamaha 1.8L Naturally Aspirated Motors

**\*\*\* WARNING: NO SMOKING. ALLOW ENGINE TO COOL COMPLETELY \*\*\***

### - INSTALLATION INSTRUCTIONS -

Remove seats.

At front of engine cut and remove zip tie securing fuel supply hose in mount on top of air hose [to throttle body].



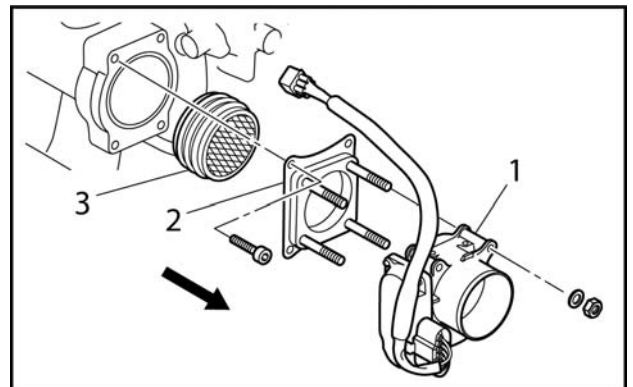
Remove fuel supply hose from mount by lifting up. (Rubber mount is split at top.)

Loosen hose clamp securing air hose to throttle body inlet. Remove air hose from throttle body inlet.



Remove nuts (4) securing throttle body<sup>1</sup> to joint plate<sup>2</sup>.

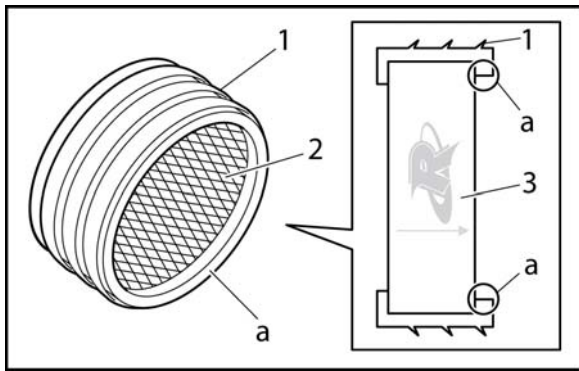
Pull throttle body forward to remove from joint plate studs. Carefully set aside in hull. Cover with a clean shop rag.



Remove bolts (4) securing joint plate<sup>2</sup> to intake manifold. Remove joint plate and set aside.

Remove ribbon<sup>3</sup> with rubber holder from intake manifold.

Remove ribbon<sup>2</sup> from rubber holder<sup>1</sup> and discard.

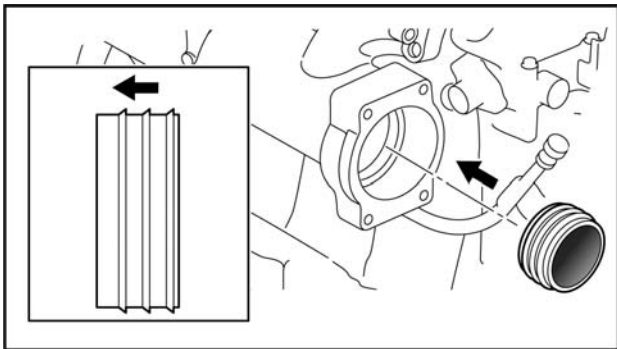


Place rubber holder<sup>1</sup> around outside of supplied billet sleeve<sup>3</sup>. **NOTE: Direction of supplied billet sleeve<sup>3</sup> is critical. Arrow points to side that must face throttle body.**

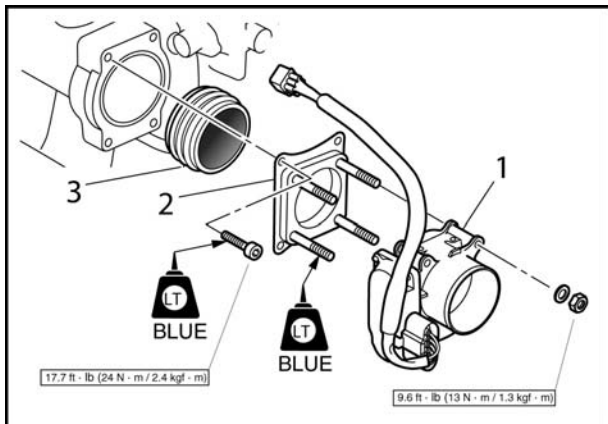
**TIP:** Make sure that the lip<sup>a</sup> on the holder<sup>1</sup> is hooked onto the billet sleeve<sup>3</sup>.

Install Upgrade Kit into intake manifold.

**NOTE: Direction is critical.**



Replace joint plate and secure. **NOTE: Apply blue Loc-tite to bolts. Torque to 17.7 lbf•in / 24 N•m.**



Replace throttle body and secure. **NOTE: Apply blue Loc-tite to studs. Torque to 9.6 lbf•in / 13 N•m.**

Replace air hose and secure. **NOTE: Do not over tighten clamp.**

Replace fuel supply hose and secure with supplied zip tie.

Check bilge for tools, rags, etc. Run craft on a flush kit to check for proper operation.

***Remember, the water belongs to everyone.***

***Please ride responsibly and respect the environment!***

### Technical Support

For answers to questions regarding installation or trouble shooting RIVA Performance Products contact:

RIVA Technical Support directly at (954) 247-0705 or by e-mail at [tech\\_support@rivamotorsports.com](mailto:tech_support@rivamotorsports.com).

### Limited Warranty

RIVA Intake Manifold Upgrade Kits carry a 1-year limited warranty to the original purchaser. They are warranted to be free of defects in materials and workmanship under normal use and service. Customer modified components will be void of warranty. This warranty is limited to defects in the primary components only. Finish and/or wear marks in or on primary components are not covered under this warranty.

RIVA Racing's liability is expressly limited to the repair or replacement of the components contained within or associated with this kit. RIVA Racing agrees to repair or at RIVA's option, replace any defective unit without charge, if product is returned to RIVA Racing freight prepaid within the warranty period. Any equipment returned which, in RIVA's opinion, has been subjected to misuse, abuse, overheating or accident shall not be covered by this warranty.

RIVA Racing shall have no liability for special, incidental or consequential damages or injury to persons or property from any cause arising from the sale, installation or use of this product.

No other warranty, express or implied, including, but not limited to the implied warranties of merchantability and fitness for a particular purpose, applies. Various states do not allow for the limitation of incidental or consequential damages and therefore the above exclusion or limitation may not apply to you.

Warranty does not include the expenses related to freight or transportation of parts or compensation for any inconvenience or loss of use while being repaired. A copy of the original invoice and a Return Authorization Number (RA#) must accompany all warranty claims.

Warranted replacement parts will be returned freight collect.