

Assembly Instructions

Model:	JET SKI® ULTRA® 310
Description:	ULTRA Deck
Part Number:	99994-1704
Assembly Time:	120 Minutes

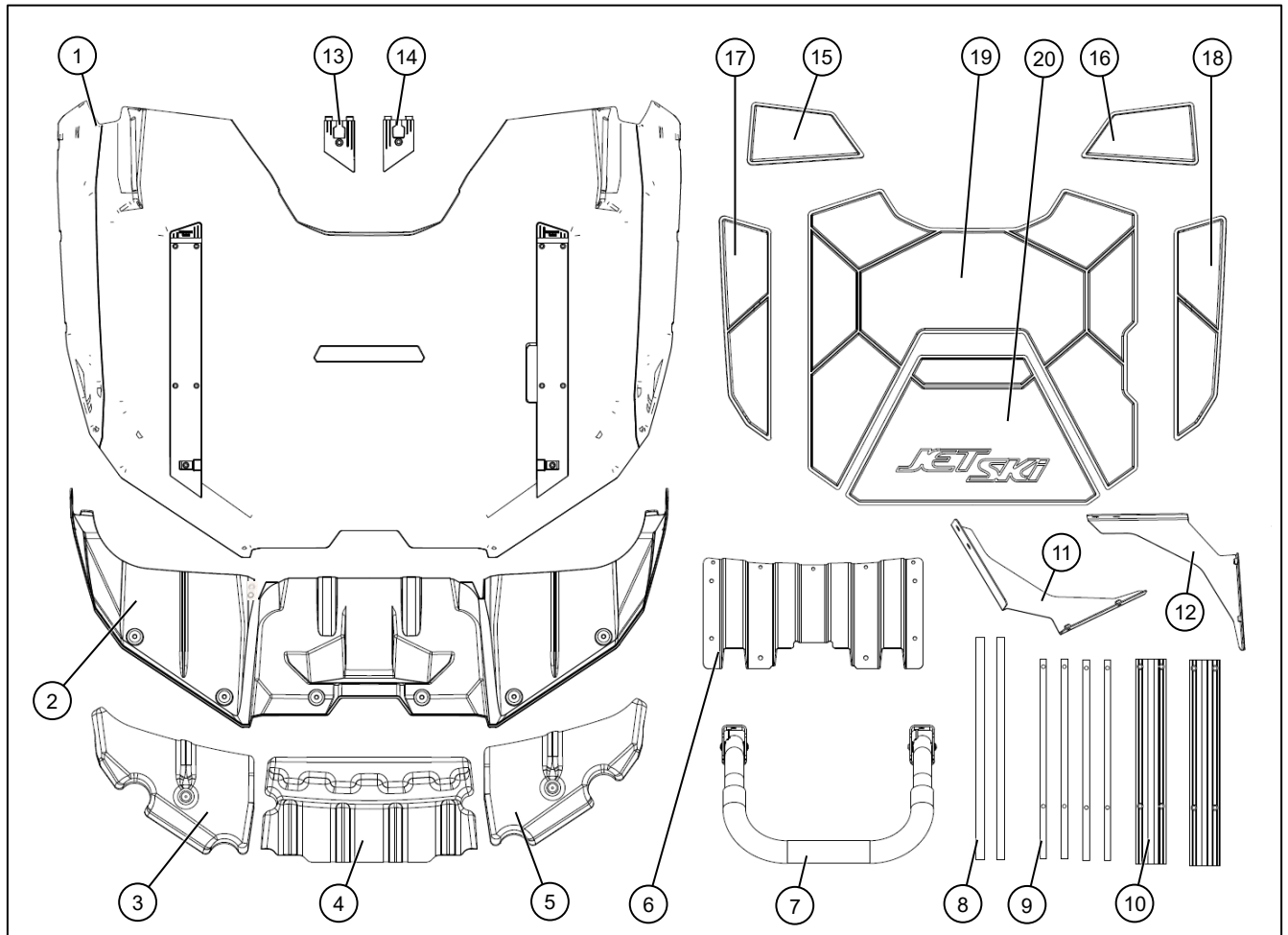
Before you begin, read through these instructions and check that all parts are present. Please note that Kawasaki cannot assume any responsibility for damage resulting from incorrect installation.

Kawasaki recommends that all genuine accessories should be fitted by an authorized Kawasaki dealer.

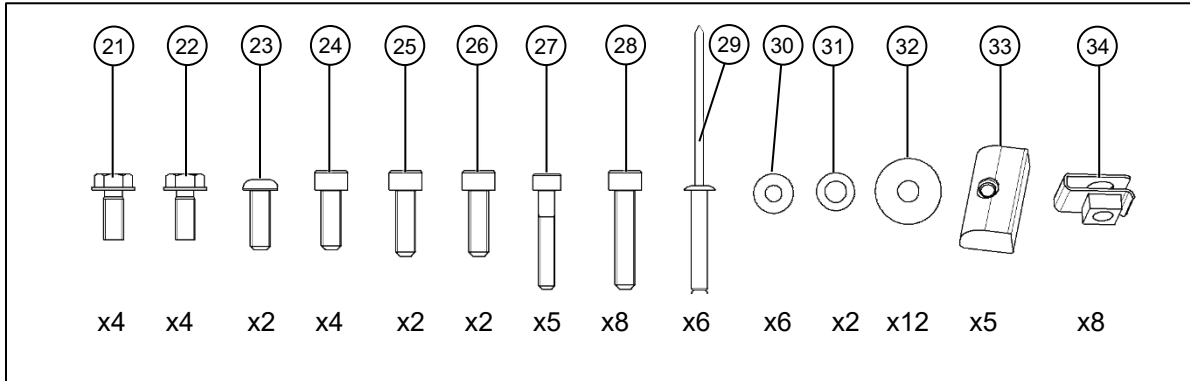
The following symbols indicate the information for proper installation and operation in this instruction.

- Indicates a procedural step or work to be done.

Parts Photo



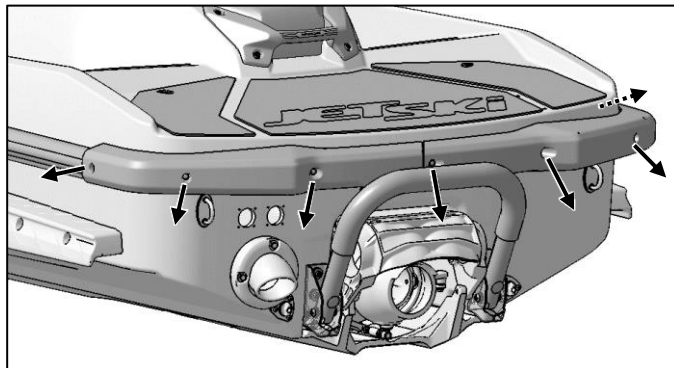
Parts Photo - Hardware



Parts List				
No.	Component Name	Part Number	Qty	Remark
1	Deck-Top	39028-0006	1	Deck Platform
2	Deck-Bottom	39028-0007	1	
3	Float	16188-0066	1	Left
4	Float	16188-0068	1	Center
5	Float	16188-0067	1	Right
6	Plate	13272-3873	1	
7	Step-Assy	34027-0027	1	
8	Trim	53044-0733	2	Rail
9	Collar	92152-2815	4	Rail
10	Rail	13070-0974	2	
11	Bracket	35063-1567	1	Left
12	Bracket	35063-1569	1	Right
13	Cap-Rail	39031-0025	1	Left
14	Cap-Rail	39031-0026	1	Right
15	Mat	53004-0688	1	Left Forward
16	Mat	53004-0689	1	Right Forward
17	Mat	53004-0690	1	Left
18	Mat	53004-0691	1	Right
19	Mat	53004-0692	1	Center
20	Mat	53004-0693	1	Rear
21	Bolt, M6 x 16	156R0616	4	Deck Top and Bottom
22	Bolt, M6 x 16, Threadlock	92002-3728	4	Fix Plate and Brackets
23	Bolt-Button Head, M6 x 18	92154-4447	2	
24	Bolt, M6 x 18, Threadlock	92150-3775	4	Step Assy
25	Bolt, M6 x 20, Threadlock	92151-3774	2	Hull
26	Bolt-SOCKET, M6 x 20	120R0620	2	Cap-Rail
27	Bolt, M5 x 30, Threadlock	92153-3742	5	Fix Plate to Deck
28	Bolt, M6 x 30, Threadlock	92150-3822	8	Rail
29	Rivet	92039-3773	6	Side
30	Washer, 5 x 12 x 1	92200-3796	6	For Rivet
31	Washer, M6	410S0600	2	Cap-Rail
32	Washer, 6.5 x 20 x 1.5	92022-3710	12	Deck Top and Bottom
33	Nut-Extruded, M5	92210-1892	5	Fix Plate to Deck
34	Nut-Clip, M6	92210-3768	8	

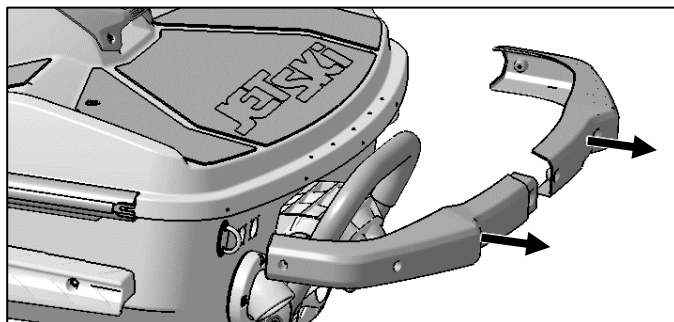
Installation Instructions

- Park the vehicle on level ground, ensure it is secure, and turn off the ignition switch.

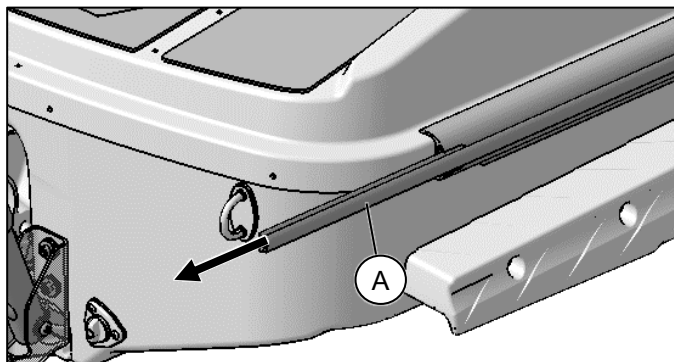


- Drill out seven rivets from rear bumpers.

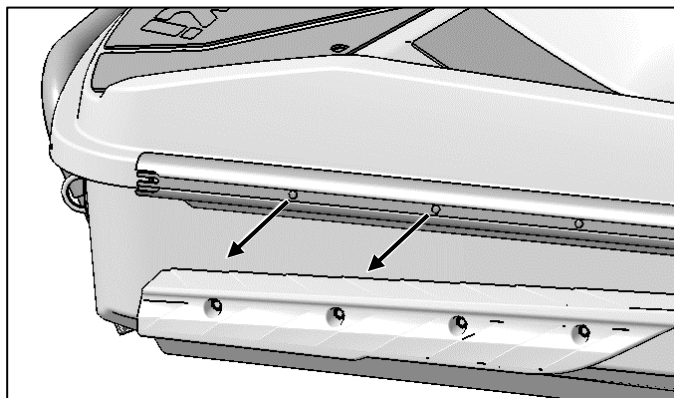
- Remove both rear bumpers.



- Slide trim piece (A) out of right-side rub rail.

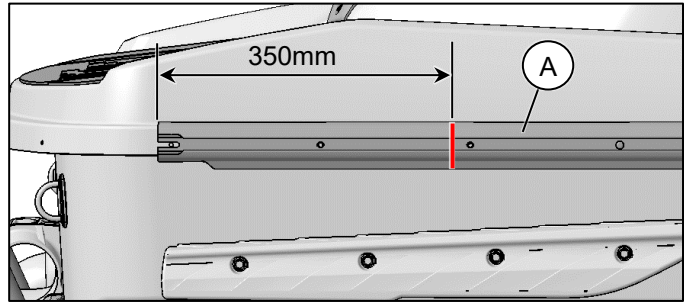


- Drill out the two rear-most rivets from the rub rail.

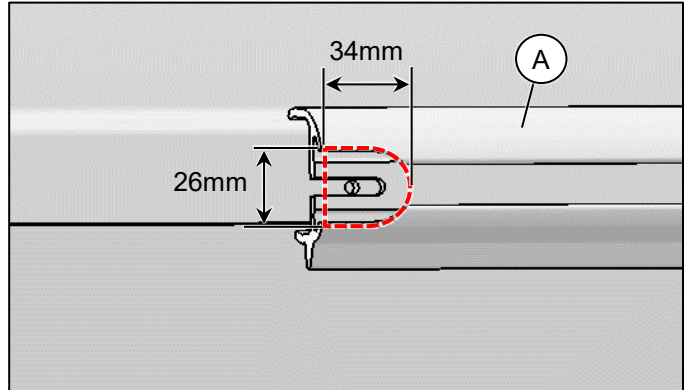


Installation Instructions

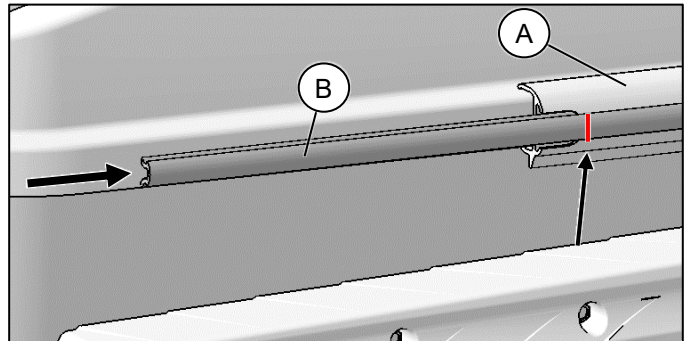
- Measure 350mm from the rear of the right-side rub rail (A) and make a cut mark. Cut at the mark to remove the rear 350mm of rub rail.



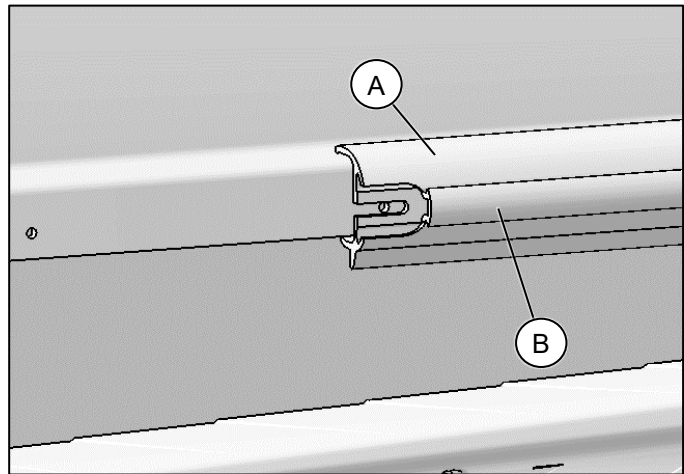
- Cut a pocket into rub rail (A) as shown.



- Temporarily slide trim piece (B) back into rub rail (A). Mark at the pocket cut in rub rail of previous step. Remove trim piece and cut at mark.

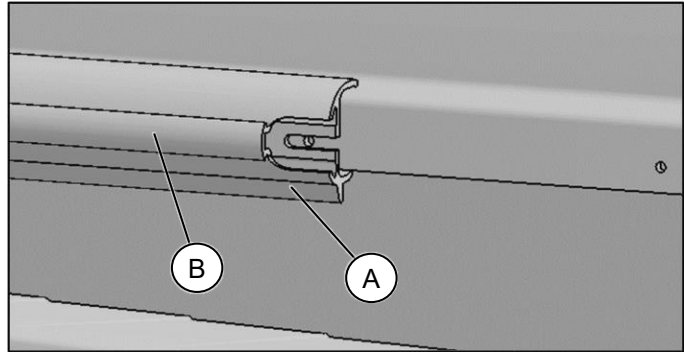


- Reinsert trim piece (B) into rub rail (A).

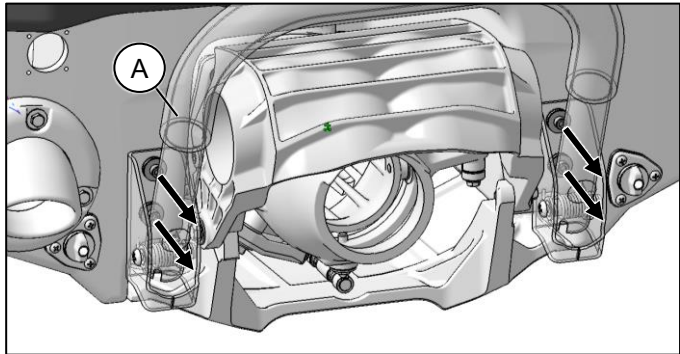


Installation Instructions

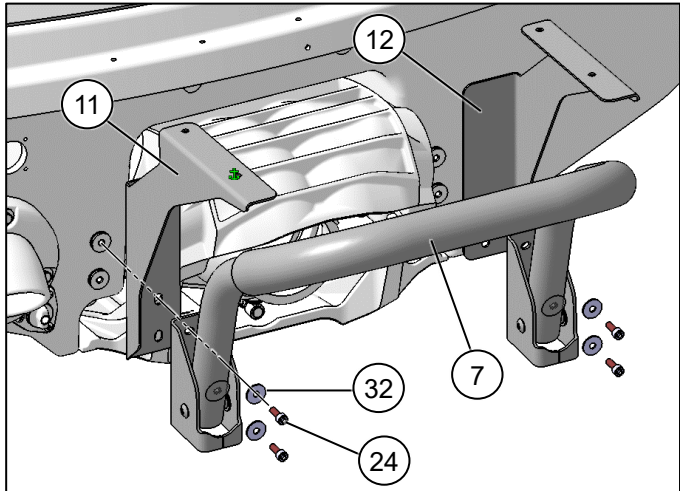
- Repeat previous steps for left side rub rail (A) and trim piece (B).



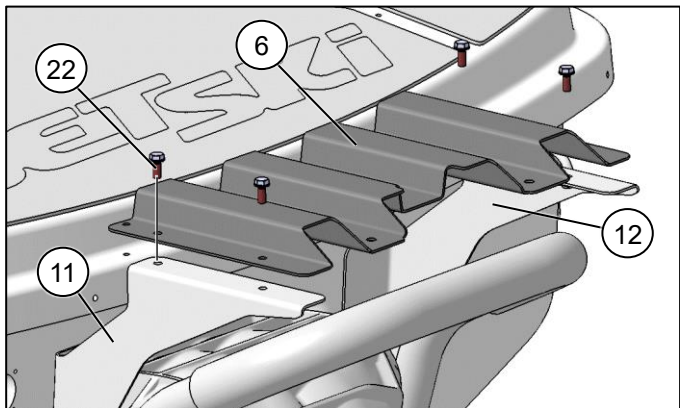
- Remove step assembly (A) by removing four bolts and four washers in step brackets.



- Install new step assembly (7), left deck bracket (11) and right deck bracket (12) using four new washers (32) and four new bolts (24).

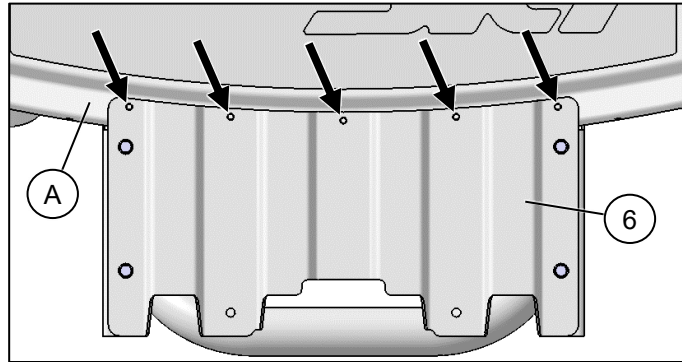


- Temporarily Install deck plate (6) onto left and right deck brackets (11, 12) using four bolts (22).

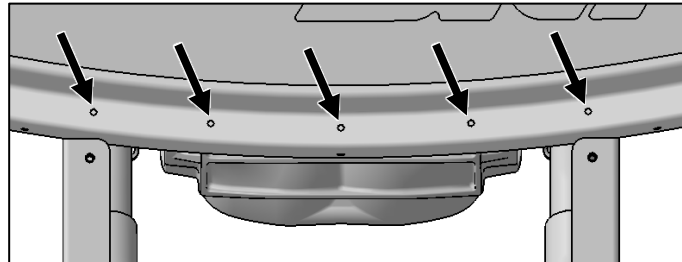


Installation Instructions

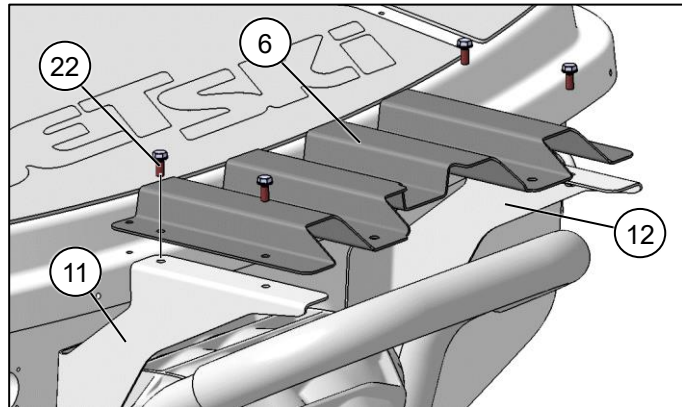
- Using the deck plate (6) as a template, mark the deck (A) at each of the five holes at front end of deck plate (6).



- Remove deck plate and drill five vertical 5mm holes in the deck/hull joint at the marks.

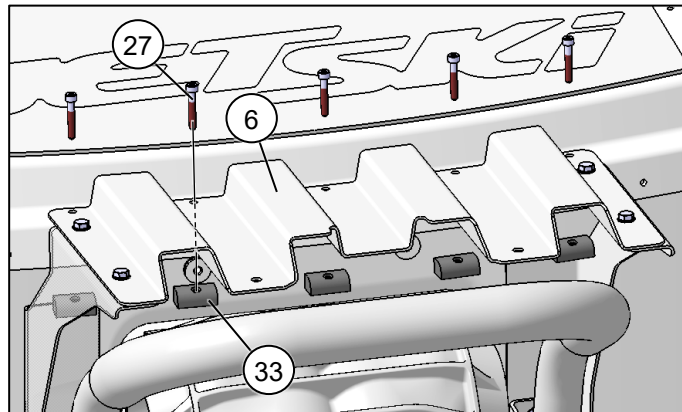


- Set deck plate (6) in place. Loosely install bolts (22) into left and right deck brackets (11, 12). Bolts will be tightened in a subsequent step.



- Attach front end of deck plate (6) to deck using bolts (27) and nut-extruded (33). Ensure the curved edge of nut-extruded (33) is up and toward the rear.

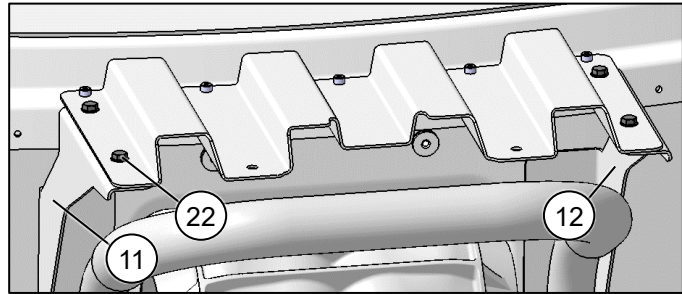
Torque – M5 Bolt: 4 N·m (0.41 kgf·m, 35 in·lb)



Installation Instructions

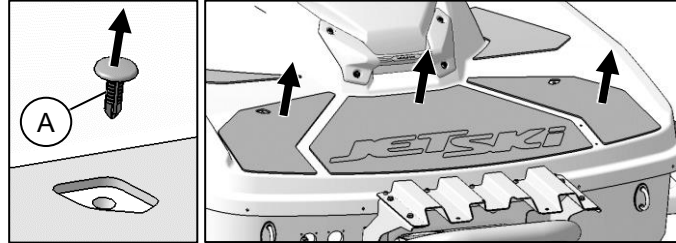
- Tighten bolts (22) in left and right deck brackets (11, 12).

Torque - M6 Bolt: 9.8 N·m (1.0 kgf·m, 87 in·lb)

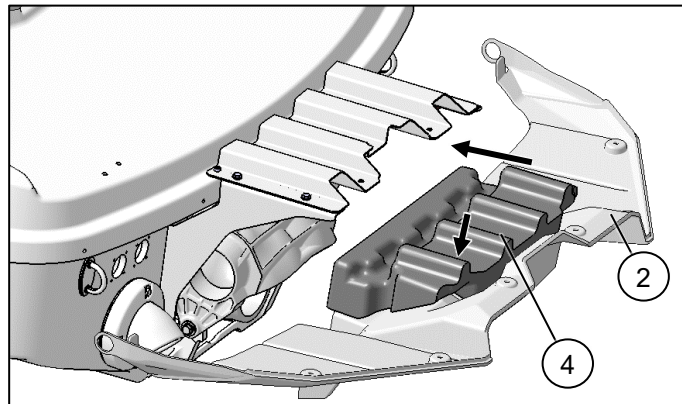


- Remove two plugs (A) from rear deck.

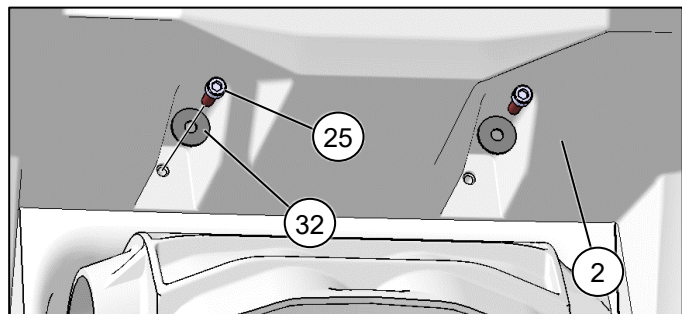
Remove three sections of deck mat from rear deck as shown and discard. Careful heating of the mat with a heat gun may ease removal.



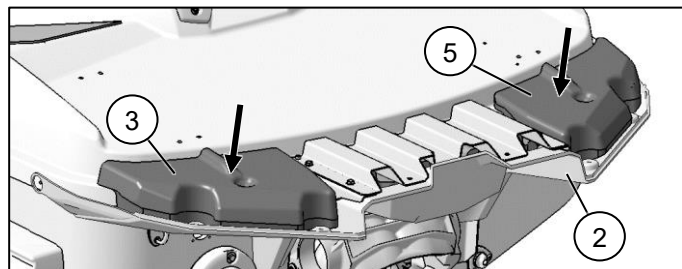
- Set center foam (4) onto deck-bottom (2) and set deck-bottom (2) in place against Jet Ski.



- Attach deck-bottom (2) to hull with two bolts (25) and two washers (32).

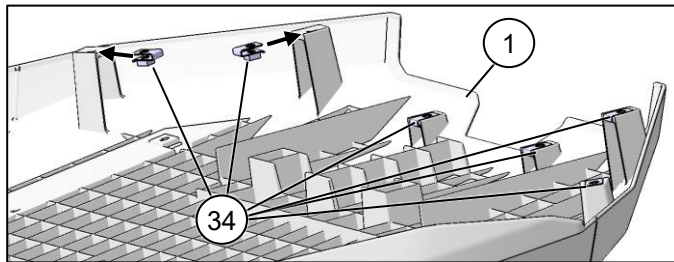


- Set left foam (3) and right foam (5) in place on deck-bottom (2).

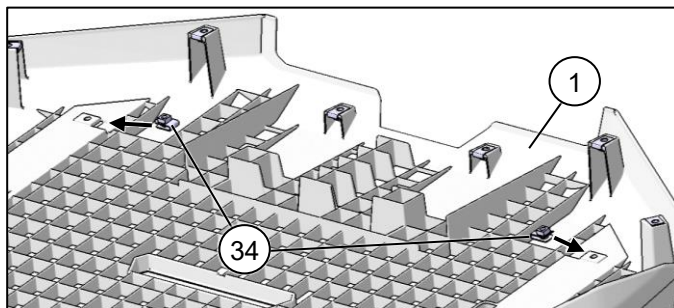


Installation Instructions

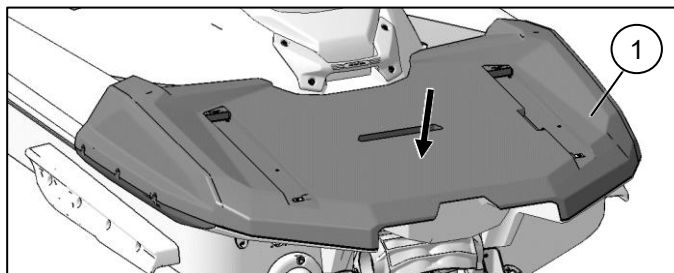
- Install six clip nuts (34) onto standoffs on lower side of deck-top (1) as shown.



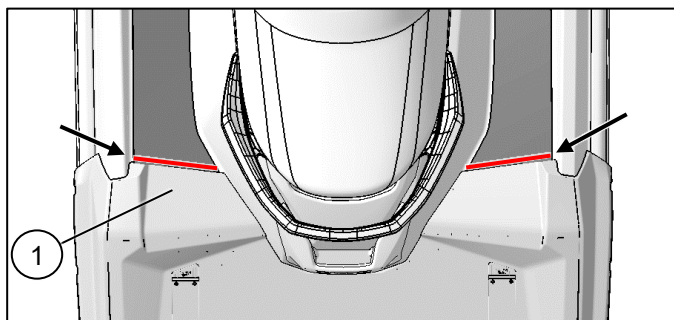
- Install two clip nuts (34) on lower side of deck-top (1) as shown.



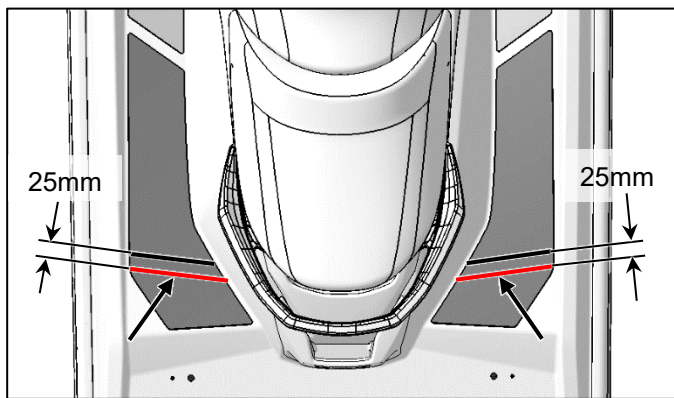
- Set deck-top (1) in place.



- Using the deck-top (1) as a template, mark the rear footwell mats at the front edges of the deck-top (1) with a pencil.

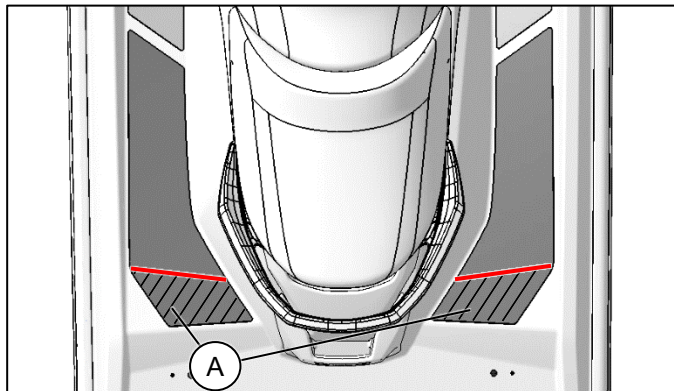


- Remove deck-top. Measure and make marks 25mm rearward of the marks made in the previous step.

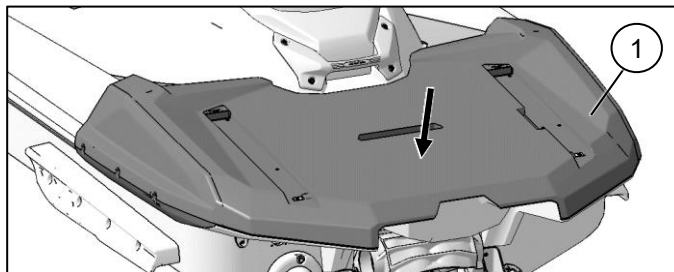


Installation Instructions

- Carefully cut the rear footwell mats at the rearward marks made in the previous step. Remove the rear portion (A) of the mats. Careful heating of the mat with a heat gun may ease removal.

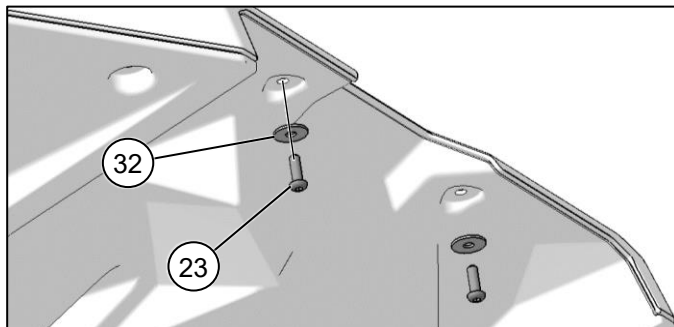


- Set deck-top (1) in place.



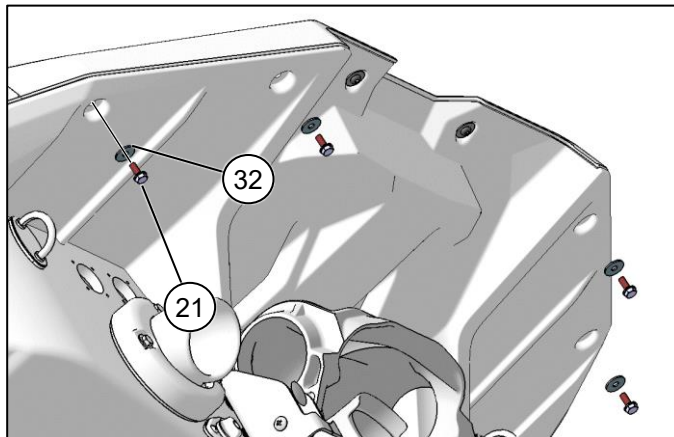
- Install two button head bolts (23) and two washers (32) in the locations shown.

Torque - M6 Bolt: 8 N·m (0.82 kgf·m, 71 in·lb)



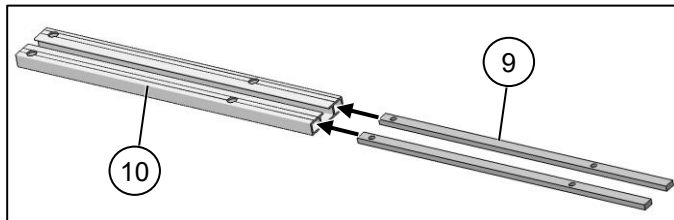
- Install four bolts (21) and four washers (32) as shown.

Torque - M6 Bolt: 8 N·m (0.82 kgf·m, 71 in·lb)



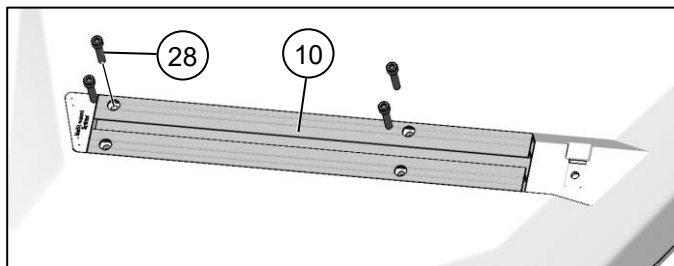
Installation Instructions

- Slide two collars (9) into each rail (10) and align the holes.



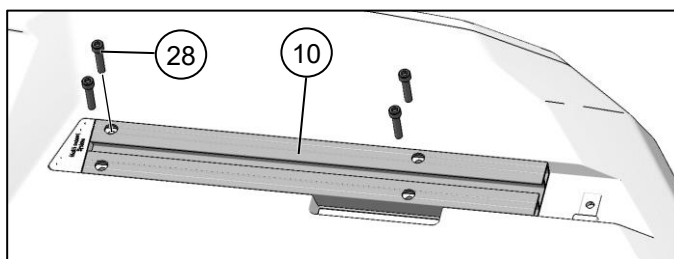
- Attach a rail (10) with collars to left side of deck using four bolts (28).

Torque - M6 Bolt: 9.8 N·m (1.0 kgf·m, 87 in·lb)

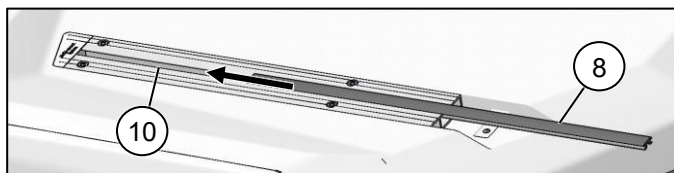


- Attach a rail (10) with collars to right side of deck using four bolts (28).

Torque - M6 Bolt: 9.8 N·m (1.0 kgf·m, 87 in·lb)

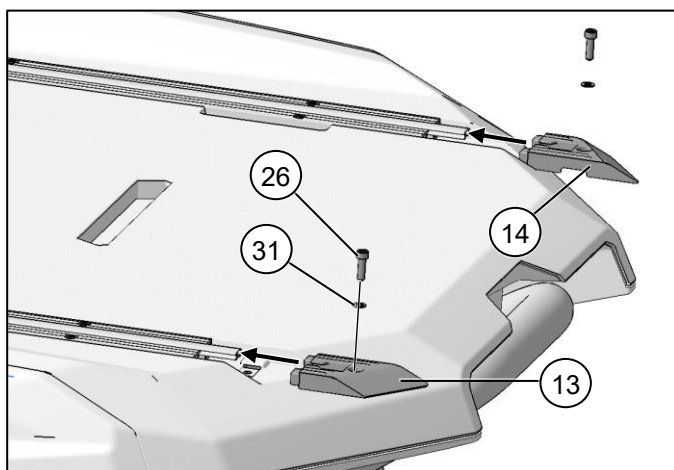


- Slide a rail trim (8) into each rail (10).

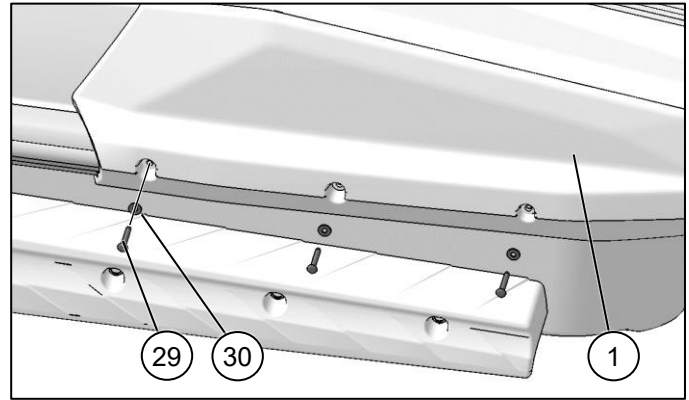


- Slide left cap-rail (13) and right cap-rail (14) into rails and fasten with bolts (26) and washers (31).

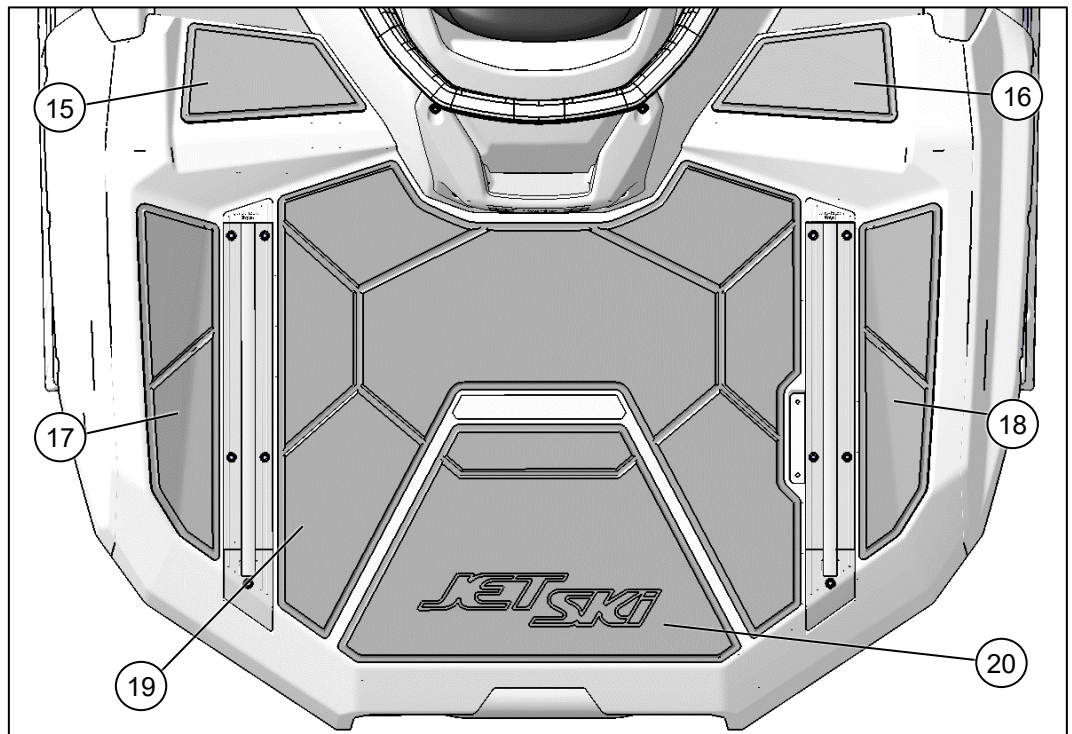
Torque - M6 Bolt: 8 N·m (0.82 kgf·m, 71 in·lb)



- Attach left side of deck-top (1) using three rivets (29) and three washers (30). Repeat on the right side with three rivets and washers.



- Thoroughly clean top surface of deck-top (1) and apply deck mats (15, 16, 17, 18, 19, 20) in the locations shown. Press firmly.



Enjoy Your Kawasaki Genuine Accessory!