



**Sea-Doo 325 Intake Manifold Girdle**

PART# - RS12220-IMG



**Applications:** Sea-Doo 325 HP Models

**Approximate Installation Time:** 0.5 hr.

**Recommended Specialty Tools:** **Part #**  
N/A N/A

**Required Materials:** **Part #**  
N/A N/A

**GET THE LATEST UPDATES!**

Prior to installation, go to the RIVA Racing online Instruction Library to download the latest version of these instructions:

<https://rivaracing.com/instructions>

We strongly recommend the use of a service manual to familiarize yourself with the various components and procedures involved with this installation. Please note that some of the original hardware removed in the disassembly process will be used in the installation process. These instructions have been written in step-by-step format and refer to illustrations. Read through instructions entirely before performing installation. Please follow these step-by-step instructions and illustrations carefully.

**\*\*\* ALLOW ENGINE TO COOL COMPLETELY BEFORE PERFORMING INSTALLATION \*\*\***

**\*\*\* NO SMOKING \*\*\* NO SMOKING \*\*\* NO SMOKING \*\*\***

## **- INSTALLATION INSTRUCTIONS -**

Remove bolts from assembled girdle and separate halves. Position bottom girdle half under outside lip of intake manifold. Place top half of girdle onto upper lip of manifold. Align grooves in girdle with manifold seam and press halves together. (Figure 1)

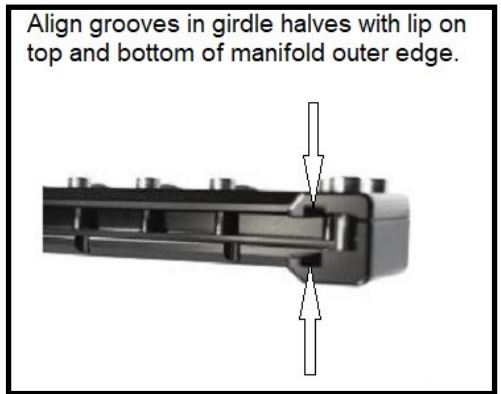


Figure 1

Insert bolts and thread in finger tight. **Note: Apply blue Loctite to first 1/4" of threads only.**

Beginning in the center of the girdle work alternately to the outside ends of the girdle tightening bolts to 7ft-lbs. (Figure 2) **Note: Do not overtighten bolts.**

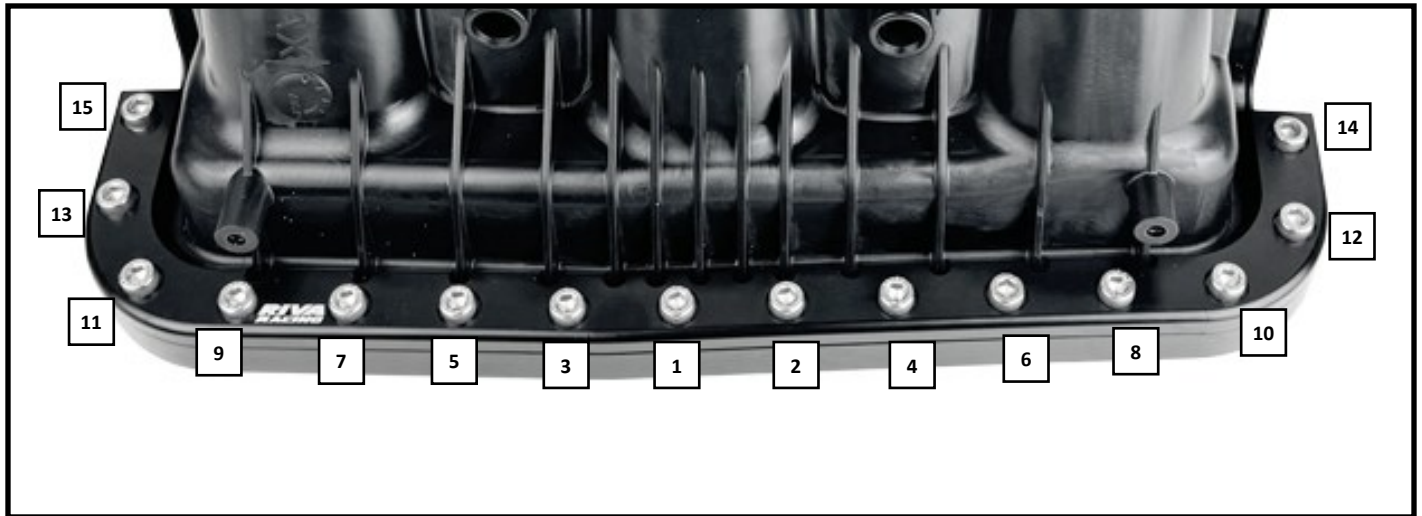


Figure 2

***Remember, the water belongs to everyone.  
Please ride responsibly and respect the environment!***

### **Technical Support**

For answers to questions regarding installation or trouble shooting RIVA Performance Products contact:

RIVA Technical Support directly at (954) 247-0705 or by e-mail at [tech\\_support@rivaracing.com](mailto:tech_support@rivaracing.com).

### **Limited Warranty**

RIVA Intake Manifold Girdles carry a 90-day limited warranty to the original purchaser. They are warranted to be free of defects in materials and workmanship under normal use and service. Customer modified components will be void of warranty. This warranty is limited to defects in the primary components only. Finish and/or wear marks in or on primary components are not covered under this warranty.

RIVA Racing's liability is expressly limited to the repair or replacement of the components contained within or associated with this kit. RIVA Racing agrees to repair or at RIVA's option, replace any defective unit without charge, if product is returned to RIVA Racing freight prepaid within the warranty period. Any equipment returned which, in RIVA's opinion, has been subjected to misuse, abuse, overheating or accident shall not be covered by this warranty.

RIVA Racing shall have no liability for special, incidental or consequential damages or injury to persons or property from any cause arising from the sale, installation or use of this product.

No other warranty, express or implied, including, but not limited to the implied warranties of merchantability and fitness for a particular purpose, applies. Various states do not allow for the limitation of incidental or consequential damages and therefore the above exclusion or limitation may not apply to you.

Warranty does not include the expenses related to freight or transportation of parts or compensation for any inconvenience or loss of use while being repaired. A copy of the original invoice and a Return Authorization Number (RA#) must accompany all warranty claims.

Warranted replacement parts will be returned freight collect.